

CUA – CAMPUS-WIDE FURNITURE

HERMAN MILLER AERON CHAIRS – CLASSIC*

[Click here for product information.](#)

*Available for purchase through 2017



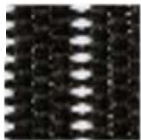


Model #AE113AW-A/B/C*:
Task chair with “BB” casters and adjustable lumbar
(other types of casters are available)

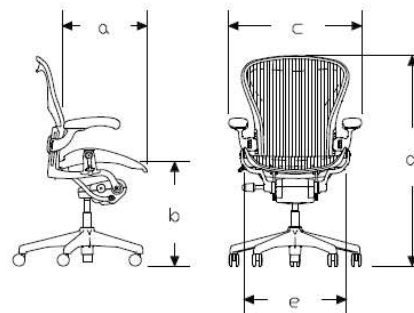
\$743.82 each**

**Price is for product only.

Inside delivery/placement is available; fee varies per quantity

Note: Size does not determine price.
See Aeron chair size/fit chart for reference.

Seat & Back Pellicle Classic		Frame/Base Finish		Armpads Finish	
	Carbon 3D01		Graphite G1		Black BK



	Size A	Size B	Size C
a	15 3/4	17	18 1/2
b	14 3/8-19 1/2	15-20 7/8	15-20 7/8
c	25 3/4	27	28 1/4
d	41 max	42 max	45 max
e	19	20 1/4	21 5/8

All dimensions are in inches.

Bialek Environments

Herman Miller

CUA – CAMPUS-WIDE FURNITURE

HERMAN MILLER AERON CHAIRS – REMASTERED

[Click here for product information.](#)



Model #AER1B23DW:
Task chair with “BB” casters and PostureFit lumbar
(other types of casters are available)

\$741.86 each**

**Price is for product only.

Inside delivery/placement is available; fee varies per quantity

Note: Size does not determine price.
See Aeron chair size/fit chart for reference.

Seat & Back
8Z Pellicle
Price Category 1



Graphite
23103

Frame/Base
Finish



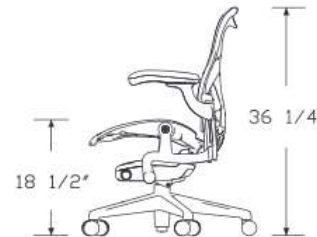
G1 Graphite
G1 Graphite

Armpads
Finish



RK Black

26 3/4"



Bialek Environments

Herman Miller

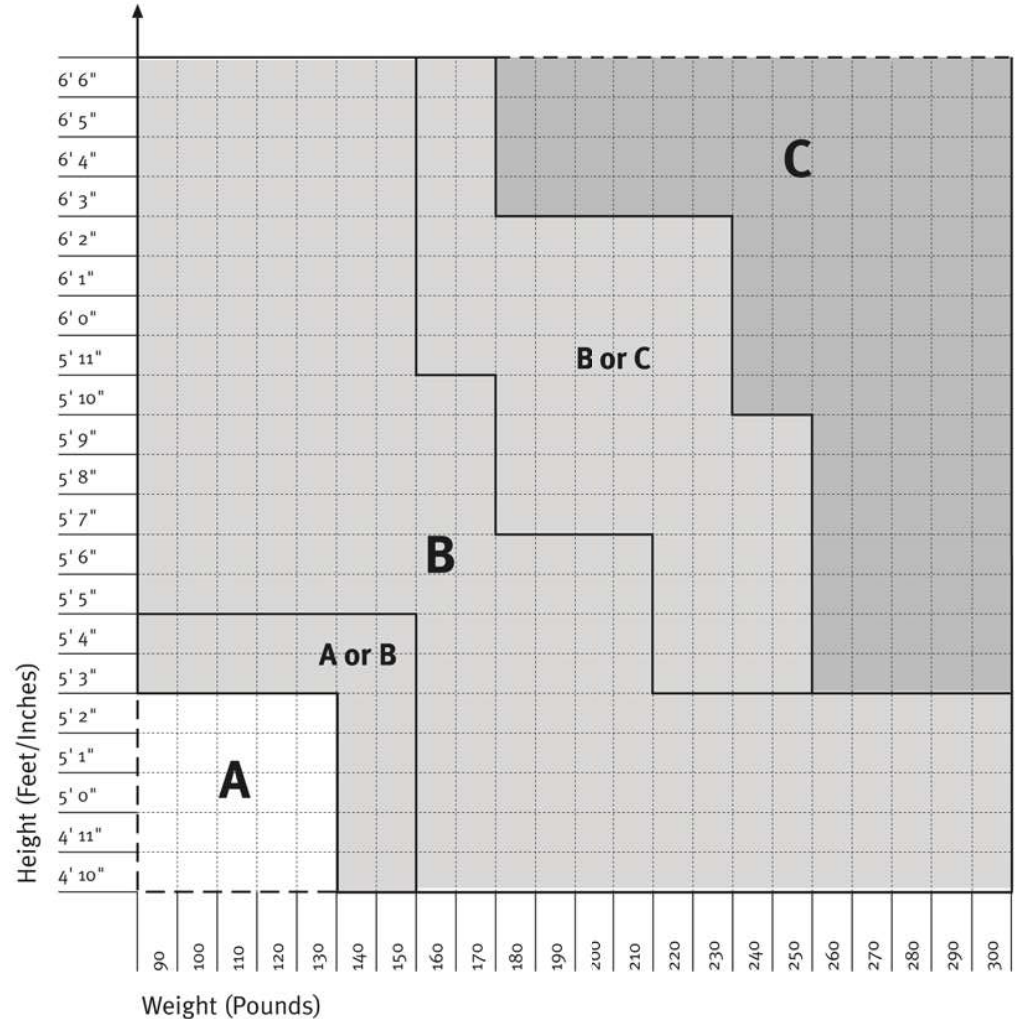
Herman Miller Seating

Classic Aeron Chairs* – Size/Fit Reference Chart

**Available for purchase through 2017*

This reference helps people select A-, B-, or C-size chairs when the three sizes are not available for actual test sitting. Height and weight are key indicators of suitable chair-size choice. Since the B-size chair is designed to fit a broad range of people, Herman Miller recommends it for users who fall in the A/B or B/C category. This chart applies to Aeron chairs with the two-stage pneumatic height-adjustment cylinder. To determine which chair size is best, find the point of intersection for your height and weight.

Aeron chairs are tested and warranted for use by persons 300 pounds and under.



Herman Miller Seating

Remastered Aeron Chairs – Size/Fit Reference Chart

This reference helps people select A-, B-, or C-size chairs when the three sizes are not available for test sitting. Height and weight are key indicators of suitable chair-size choice. Since the B-size chair is designed to fit a broad range of people, Herman Miller recommends it for users who fall in the A/B or B/C category. This chart applies to New Aeron chairs with the extended-height-range pneumatic height-adjustment cylinder.

To determine which chair is best, find the point of intersection for your height and weight. New Aeron B-, and C-size chairs are tested and warranted for use by persons 350 pounds and under. A-size chairs are tested and warranted for use by persons 300 pounds and under,

